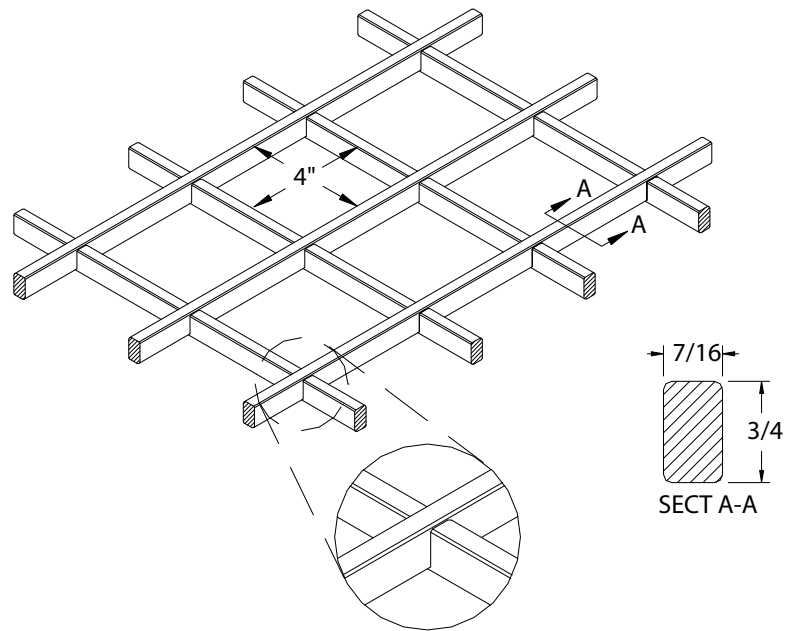


Wine Rack



Application Features

- * Provides an attractive place to store and display bottles.
- * Popular accessory for kitchens, wet bars, china cabinets, & wall units.
- * Designed for easy installation.

Product Features

- * Moldings are 7/16" x 3/4" with eased edges for a professionally finished appearance.
- * Openings are 4" x 4" square and will accommodate most size bottles.
- * The lattice is assembled using an offset cross lap joint. This joint in combination with the eased corners on the moldings make the unit friendly to the touch & soft in appearance.